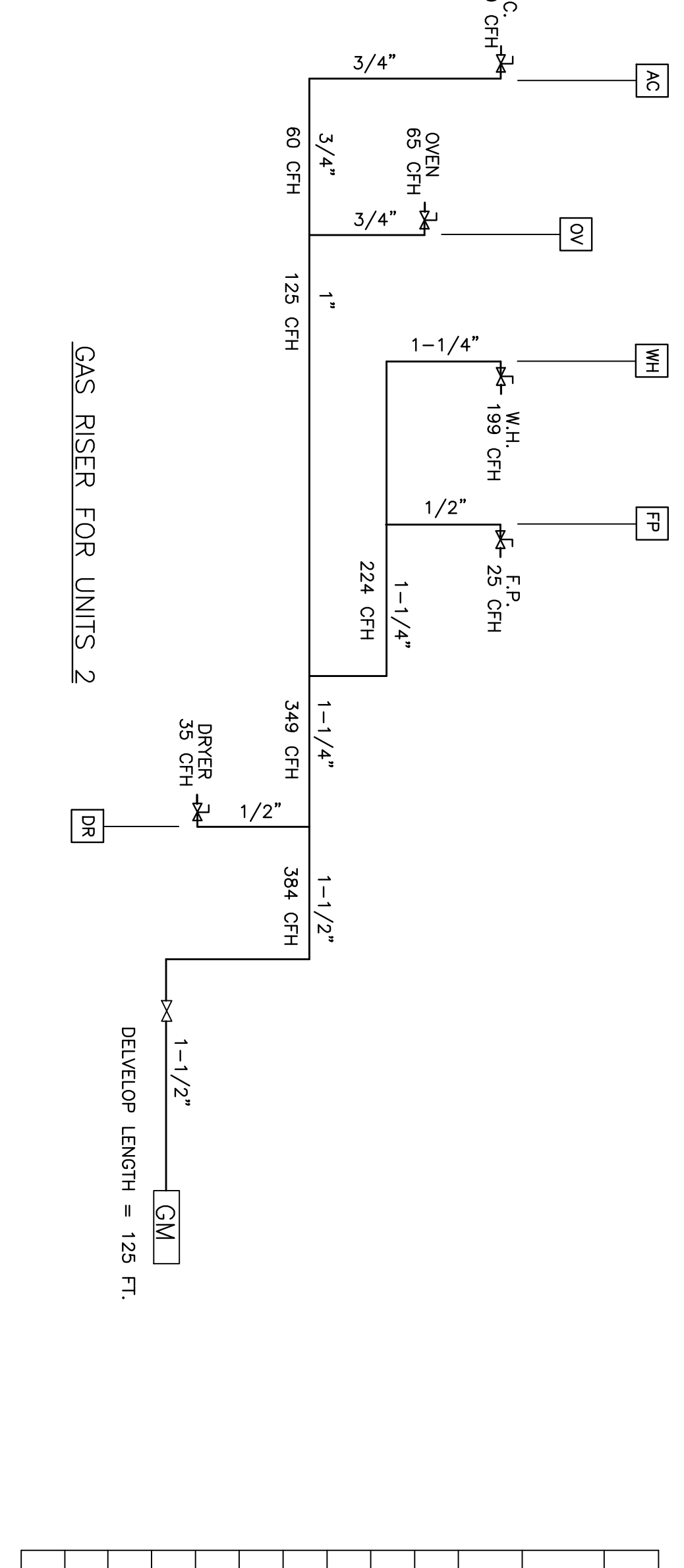
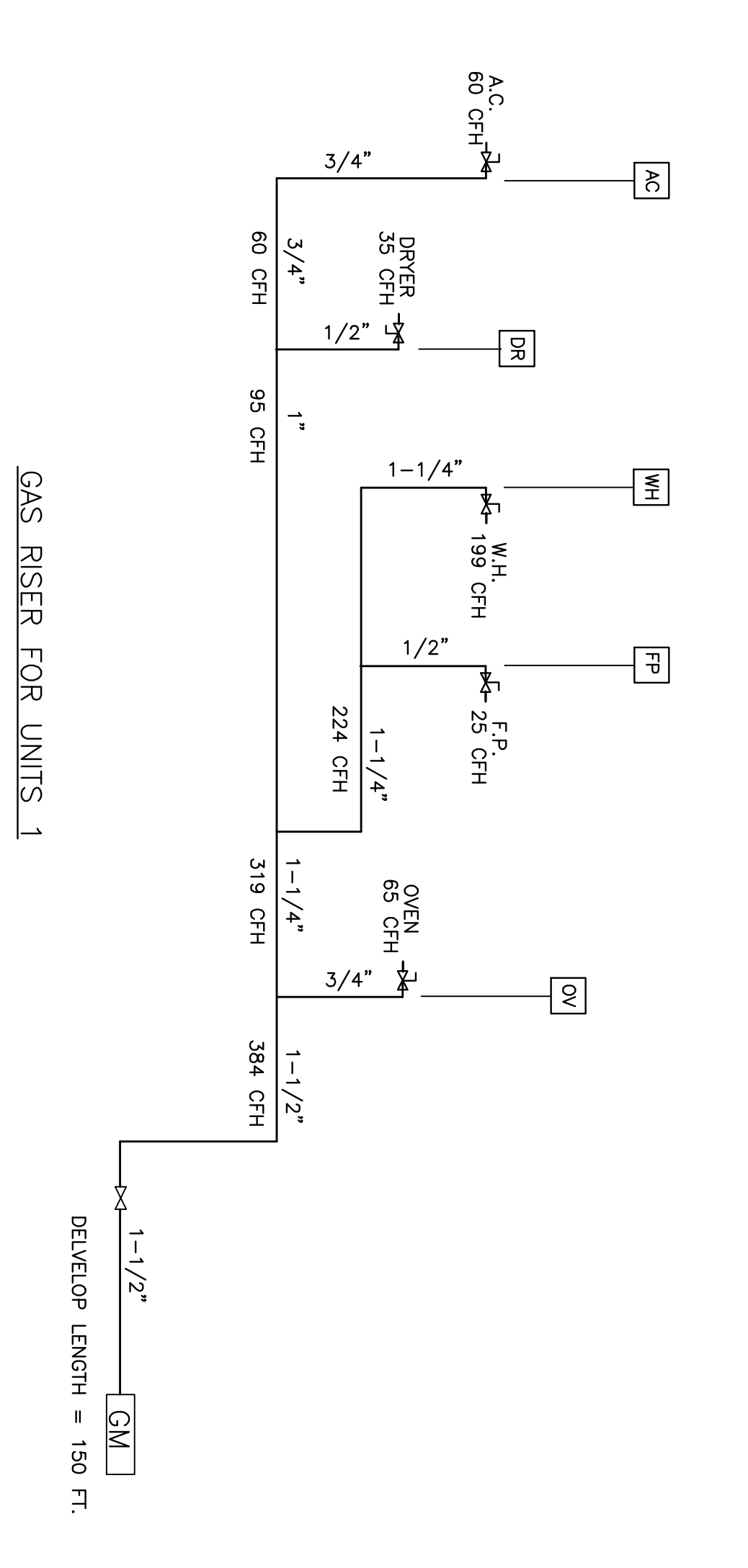
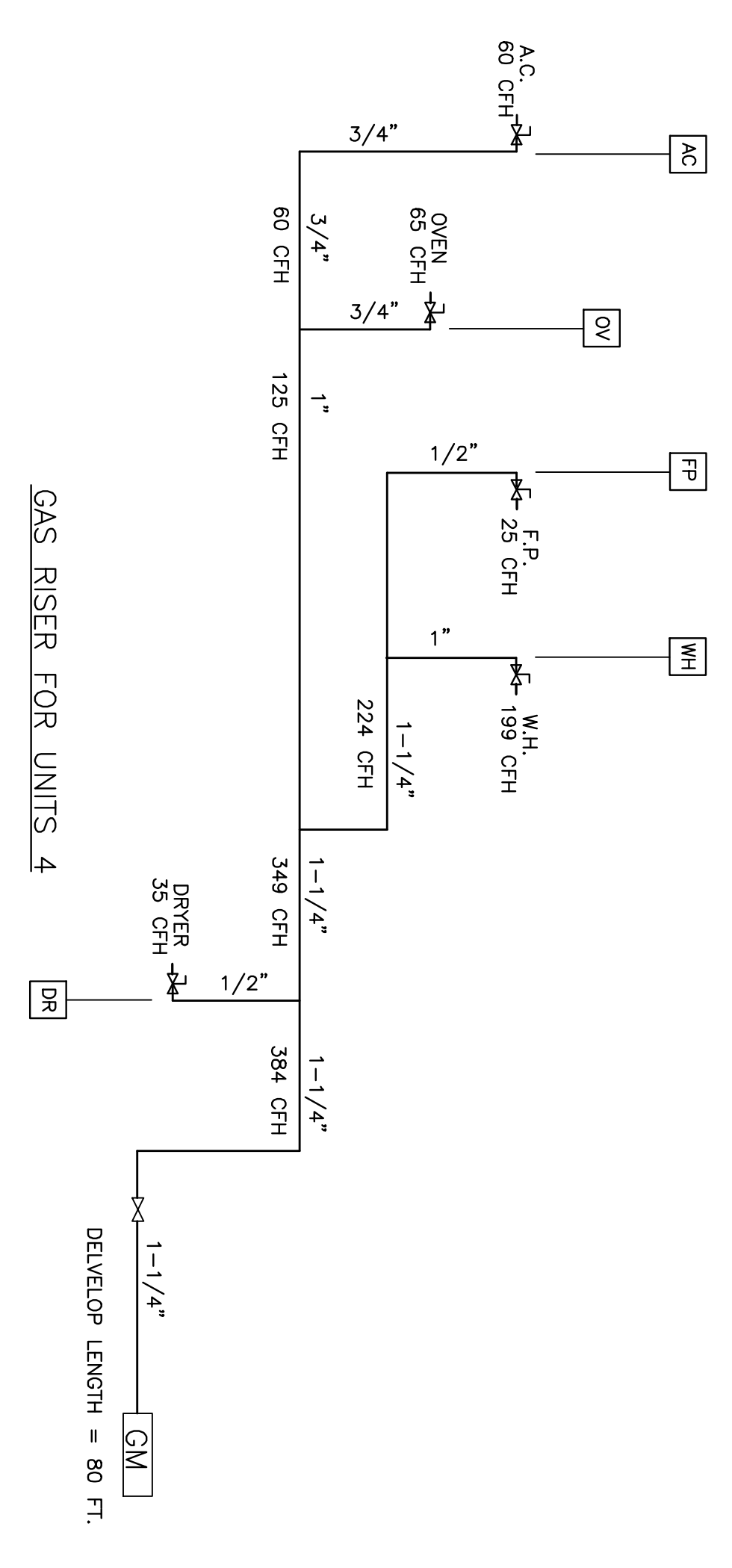
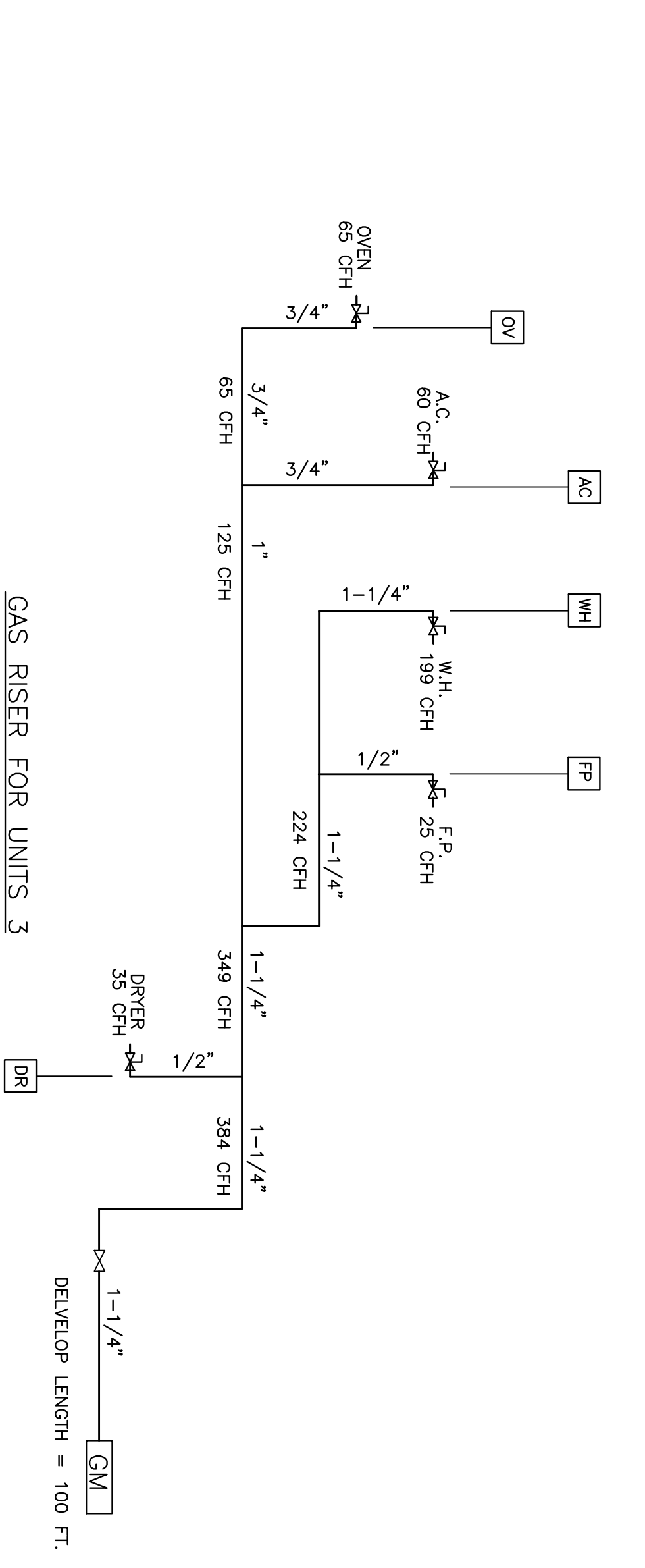
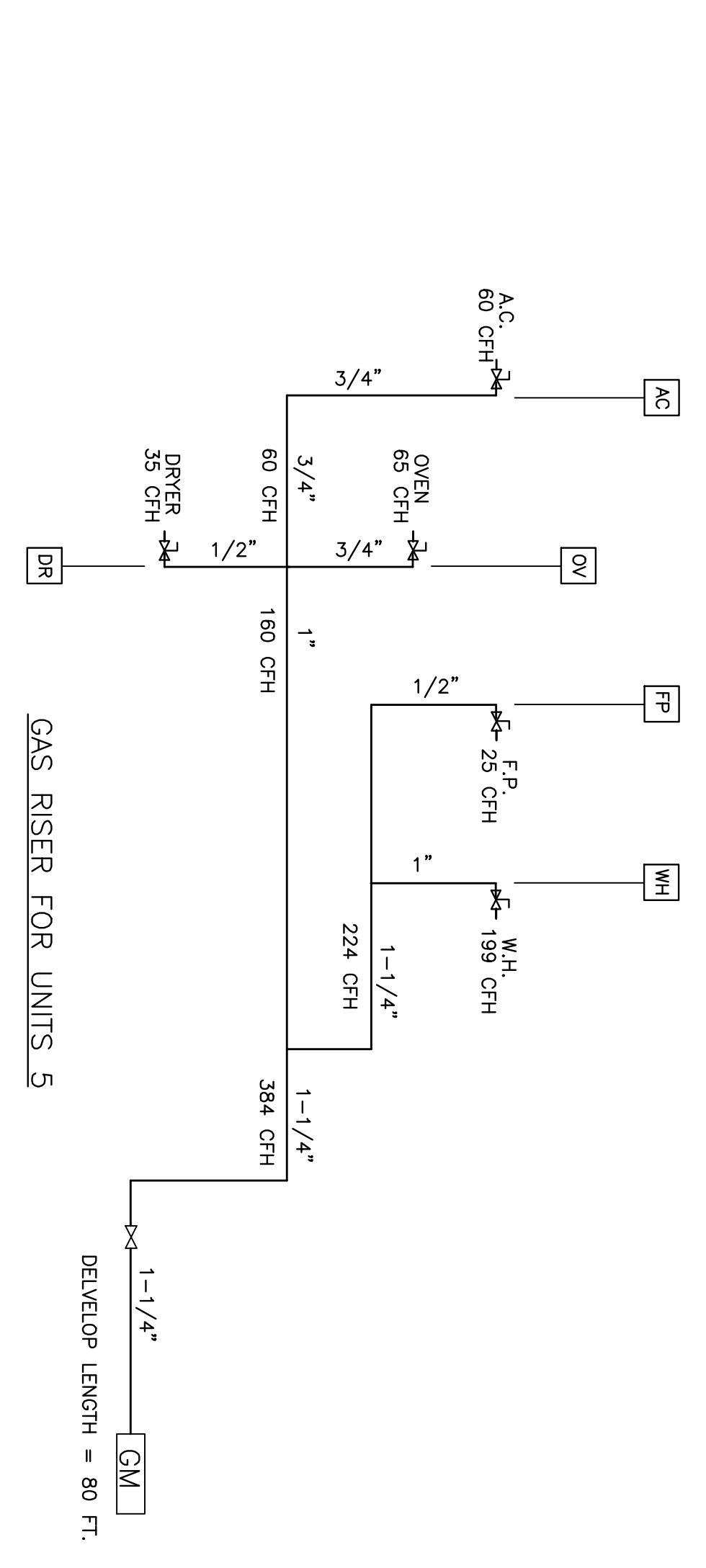


WASTE & VENT VERTICAL RISER DIAGRAM



PIPE SIZE		SIZE OF GAS PIPING											
NATURAL GAS OR 0.60 SPECIFIC GRAVITY BASED ON PRESSURE DROP OF 0.5 INCH WATER COLUMN		LENGTH IN FEET											
INCHES	FEET	80 FT.	90 FT.	100 FT.	125 FT.	150 FT.	200 FT.	250 FT.	300 FT.	350 FT.	400 FT.	450 FT.	500 FT.
1/2"	56	53	50	44	40	34	30	28	25	24			
3/4"	118	111	104	93	84	72	64	58	53	49			
1"	222	208	197	174	158	135	120	109	100	93			
1-1/4"	456	428	404	358	324	278	246	223	205	191			
1-1/2"	683	641	605	535	486	416	369	334	307	286			
2"	1315	1234	1165	1033	936	801	710	643	592	551			
2-1/2"	2096	1966	1857	1646	1482	1277	1131	1025	943	877			
3"	3705	3476	3284	2910	2637	2257	2000	1812	1687	1551			
3-1/2"	5425	5090	4808	4261	3861	3304	2929	2654	2441	2271			
	7557	7091	6698	5936	5378	4603	4080	3697	3401	3164			

**FARZAN ENGINEERING**  
 1800 BUTLER AVE #305  
 W. LOS ANGELES, CA 90025  
 Tel. (310) 386 2400; Fax. (310) 479 1565



**MR. ALI MADANI & MR. HOSSEIN ASHTIANI**  
 5 UNIT CONDOMINIUMS at  
 1327 EUCLID STR., SANTA MONICA, CA-90404

**TITLE**  
 GAS & SEWER  
 RISER DIAGRAM

**SCALE**  
 NTS

**DATE**  
 2-19-07

**SHEET NUMBER**  
 P-8

No.	REVISION	DATE